

蒸氣LESS IH STEAMLESS IH		炭炊釜IH EE系列		炭炊釜IH EV系列		炭炊釜IH EE系列	
型號 Model	NJ-EX107H	NJ-EV107H	NJ-EV187H	NJ-EE107H	NJ-EE187H	NJ-EE107H	NJ-EE187H
容量 Capacity	1.0	1.0	1.8	1.0	1.8	1.0	1.8
量杯 Measurement Cups (最多max)	5.5	5.5	10	5.5	10	5.5	10
產地 Country of Origin	日本 Japan						
電源 Power Supply	220V, 50Hz						
電力消耗 (瓦) Power Consumption (W)	1,270						
烹煮 Cooking	標準、煙燻、鬆軟、粥、混合米飯 Regular, Firm, Soft, Congee, Mixed Rice						
烹調選項 Cooking mode	白米 White Rice	日本米 Japanese Rice	日本糙米 Japanese Brown Rice	芳潤炊 Houzyun	快速 Quick	標準、煙燻、鬆軟、粥、混合米飯 Regular, Firm, Soft, Congee, Mixed Rice	標準、煙燻、鬆軟、粥、混合米飯 Regular, Firm, Soft, Congee, Mixed Rice
預校時間設定 Pre-set Timer	✓	✓	✓	✓	✓	✓	✓
保潔時間 Warm Keeping	✓	✓	✓	✓	✓	✓	✓
內鍋 Inner Pot	炭炊釜內鍋 Charcoal-coated Inner Pot	備長炭炊釜內鍋 Binchotan Charcoal-coated Inner Pot	備長炭炊釜內鍋 Binchotan Charcoal-coated Inner Pot	備長炭炊釜內鍋 Binchotan Charcoal-coated Inner Pot	備長炭炊釜內鍋 Binchotan Charcoal-coated Inner Pot	備長炭炊釜內鍋 Binchotan Charcoal-coated Inner Pot	備長炭炊釜內鍋 Binchotan Charcoal-coated Inner Pot
厚度 Thickness (毫米mm)	3.5	3.5	3.5	3.5	3.5	3.5	3.5
水位刻度 Water Level Scale	✓	✓	✓	✓	✓	✓	✓
可於內鍋洗米 Rice Washable	✓	✓	✓	✓	✓	✓	✓
液晶觸控操作面板 LCD Control Panel	✓	✓	✓	✓	✓	✓	✓
蒸氣完成蜂聲提示 Finish Cooking Buzzer	✓	✓	✓	✓	✓	✓	✓
附件 Accessories	飯勺、鏟勺、量杯 Scoop, Ladle, Measuring Cup						
體積 (闊x深x高) (毫米) Dimensions (W x D x H) (mm)	253 x 348 x 245	237 x 292 x 243	263 x 317 x 274	237 x 292 x 243	263 x 317 x 274	237 x 292 x 243	263 x 317 x 274
重量 (公斤) Weight (kg)	6.6	5.4	6.7	5.4	6.7	5.2	6.4
顏色 Color	寶石紅 Ruby Red	寶石紅 Ruby Red	寶石紅 Ruby Red	寶石紅 Ruby Red	寶石紅 Ruby Red	純潔白 Pure White	純潔白 Pure White

※ 規格如有任何更改，恕不另行通知。
Design and specifications are subject to change without prior notice.

※ 由於印刷關係，產品顏色可能與實物略有不同。
The colours of product shown are approximate, and may differ from the actual colours.

三菱電機(香港)有限公司 Mitsubishi Electric (Hong Kong) Limited

辦事處及陳列室 Office & Showroom:
香港太古城英皇道 1111 號太古中心一座 20 樓
20/F, Cityplaza One, 1111 King's Road, Taikoo Shing, Hong Kong
電話 Tel: (852) 2510 0555

維修服務中心 Service Centers:
香港: 香港九龍九龍灣臨樂街 8 號商業廣場 7 樓
Hong Kong: 7/F, Corporation Square, 8 Lam Lok Street, Kowloon Bay, Kowloon, Hong Kong
電話 Tel: (852) 2427 8484

澳門: 澳門慕拉士大馬路 243 號富大工業大廈 4 字樓 E 室
Macau: Av. Veneslau de Moraes 243 Ed. Ind. "Fu Tai" 4 Andar E, Macau
電話 Tel: (853) 2837 1777

網址 Website: <https://www.mitsubishielectric.com.hk>

P20-18 DEC-2018

蒸氣LESS IH STEAMLESS IH

日本製造

2年保用

KIDS DESIGN AWARD

GOOD DESIGN



NJ-EX107H

1.0 L

- 蒸氣密封設計
- 3.5 毫米炭炊釜內鍋
- 可煮白米、日本米、日本糙米、粥、混合米飯、壽司和糯米飯
- 快速煮飯模式
- 芳潤炊煮飯模式
- 12 小時預校時間設定 (3 種)
- 24 小時保溫
- V 型水位刻度顯示
- 可於內鍋洗米

- Sealed steam design
- 3.5 mm Charcoal-coated Inner Pot
- Suitable for white rice, Japanese rice, Japanese brown rice, congee, mixed rice, sushi and sticky rice
- Quick cooking mode
- Houzyun cooking mode
- 12 hour pre-set timer (3 sets)
- Keep warm for 24 hours
- V-shaped water level scale
- Rice washable in inner pot

EV系列 EV Series



NJ-EV107H

1.0 L



NJ-EV187H

1.8 L

- 3.5 毫米備長炭炊釜內鍋
- 可煮白米、日本米、日本糙米、粥、混合米飯、壽司和糯米飯
- 快速煮飯模式
- 芳潤炊煮飯模式
- 12 小時預校時間設定 (3 種)
- 24 小時保溫
- 特大液晶顯示屏
- V 型水位刻度顯示
- 可於內鍋洗米

- 3.5 mm Binchotan Charcoal-coated Inner Pot
- Suitable for white rice, Japanese rice, Japanese brown rice, congee, mixed rice, sushi and sticky rice
- Quick cooking mode
- Houzyun cooking mode
- 12 hour pre-set timer (3 sets)
- Keep warm for 24 hours
- Large LCD display panel
- V-shaped water level scale
- Rice washable in inner pot

EE系列 EE Series



NJ-EE107H

1.0 L



NJ-EE187H

1.8 L

- 備長炭炊釜內鍋
- 可煮白米、日本米、日本糙米、粥、混合米飯、壽司和糯米飯
- 快速煮飯模式
- 芳潤炊煮飯模式
- 12 小時預校時間設定 (3 種)
- 24 小時保溫
- 特大液晶顯示屏
- 可於內鍋洗米

- Binchotan Charcoal-coated Inner Pot
- Suitable for white rice, Japanese rice, Japanese brown rice, congee, mixed rice, sushi and sticky rice
- Quick cooking mode
- Houzyun cooking mode
- 12 hour pre-set timer (3 sets)
- Keep warm for 24 hours
- Large LCD display panel
- Rice washable in inner pot

日本製造

2年保用

備長炭炭炊釜

日本製造

2年保用

備長炭炭炊釜

蒸氣 LESS IH 電飯煲
STEAMLESS IH Rice Cooker

密封蒸氣 保存真正飯味
Sealed steam for tastier rice

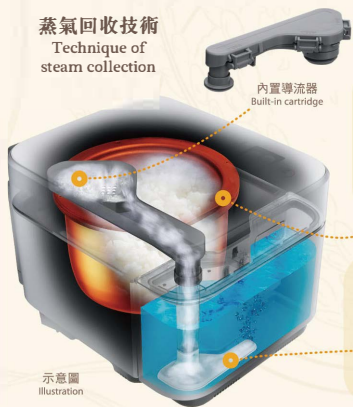
把米飯的美味成分(うまみ)與蒸氣隔離保存
Separate the rice umami from the steam and store it

在燜飯時把美味成分(うまみ)還原到米飯中
Restore the umami to the rice while steaming



微量蒸氣可能會從電飯煲排出，但不會有高溫蒸氣或結露。
Small amount of steam will be discharged, but there will be no hot steam or condensation.

蒸氣回收技術
Technique of steam collection



以傳統大釜相同的自然壓力炊煮！
Cooked under the same pressure of a traditional stove!
帶出米飯原有的香甜。
Bring out the original sweetness of the rice.

蒸氣在水箱裡變回水！
Steam goes back to the water tank as water!
蒸氣會被引導至水箱冷卻，變回水而不會溢出。
Steam will be cooled down and returned as water in the water tank.

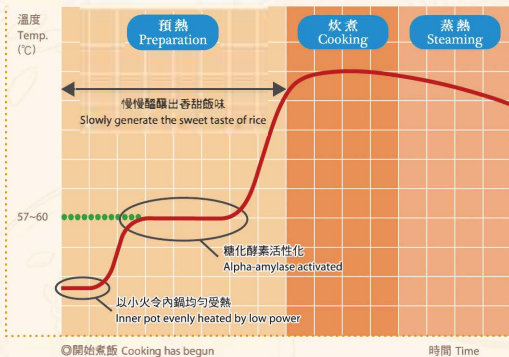
「芳潤炊」模式 米飯更香甜

Houzyun cooking mode gives you aromatic and moist rice every time

「芳潤炊」模式為你慢慢精心炊煮，煮出更美味甘香的高質米飯。「芳潤炊」模式所需的時間比一般模式稍長，從而活化米粒的糖化酵素、提升其吸水能力，呈現米飯真正的甜味與光澤。Houzyun mode cooks slowly and evenly, giving you delicious rice beyond your expectations. It takes longer time than usual to activate the alpha-amylase in the rice and enhance its water-absorbing qualities, giving the rice extraordinary sweetness and glossiness.

「芳潤炊」模式煮飯時間與溫度變化

Change of cooking time and temperature when using Houzyun Mode



*「芳潤炊」比一般煮飯模式所需時間稍長
Houzyun mode takes longer time than usual rice-cooking mode

連續沸騰技術

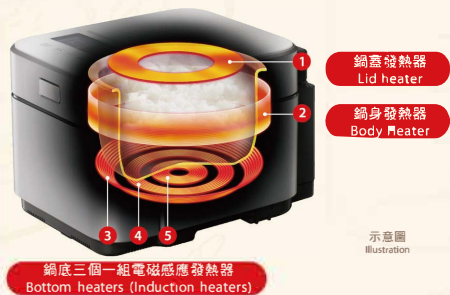
Sustained boiling technology

當內鍋高溫加熱後，達至連續沸騰效果，使大米充分受熱。
When inner pot is heated to sustained boiling, rice will be well heated.



五重全面加熱
5 Heaters

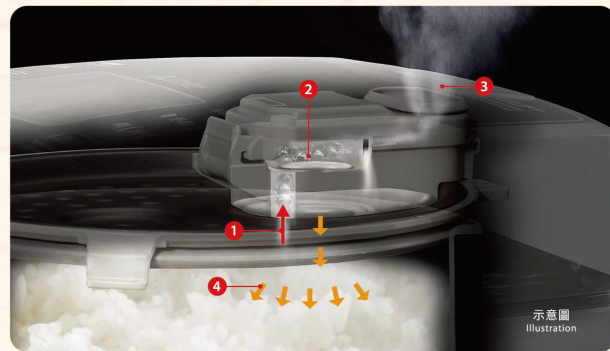
內鍋由五個發熱器完全包圍，防止加熱不均勻的情況，確保所有米粒均勻受熱。
Inner pot is surrounded by 5 heaters to ensure heating and cooking of every grain of rice evenly.



炭炊釜 IH 電飯煲 (EV, EE 系列)
Charcoal-coated IH Rice Cooker (EV, EE Series)

美味保濕導流盒 隔離蒸氣
Built-in cartridge separates steam

- 沸騰的米湯熱泡流入美味保濕導流盒中。
During boiling, hot bubbles go towards the built-in cartridge.
- 待米湯的熱泡消失，美味成分與蒸氣分離。
When bubbles disappear, umami is separated from steam.
- 只有蒸氣被排出機外。
Only steam will be released.
- 炊煮時，米湯中的美味成分被還原到米飯中。
Rice umami is restored to the rice when steaming.



炭炊釜內鍋

Charcoal-coated Inner Pot

「炭炊釜」內鍋配合五重全面加熱，以遠紅外線包圍米粒，令米粒平均受熱。而蒸氣 LESS IH 及 EV 系列的五層結構炭炊釜內鍋，加上鈦金屬硬塗層，能更有效傳導熱力，達致均勻炊煮。
The Charcoal-coated Inner Pot together with 5 heaters bath the rice in far infrared rays, each grain is evenly heated. For STEAMLESS IH and EV series, the Inner Pot coupled with titanium-hard coating, conduct heat effectively and achieve even cooking.



配件
Accessories

量杯 Measuring Cup

只要將量杯倒轉使用，1杯或半杯的分量都可以準確地量度出來。
Simply use the Measuring Cup upside down, 1 cup or half cup of rice can be precisely measured.

飯勺 Scoop

自立式飯勺讓你在繁忙時可以隨意把飯勺放下於任何地方。
Feel free to put the stand-alone scoop down anywhere.



特大液晶顯示屏
Large LCD display

不論是煮飯、保溫、抑或預約功能，各種資料均清晰顯示，讓操作更簡單。
Operation mode is clearly displayed no matter which function is being chosen.



清洗方便
Easy cleaning

只需拆下內蓋，就可清潔美味保濕導流盒。
Clean the built-in cartridge by simply removing the inner lid from the main unit.



簡潔機身 方便收納
Compact design for handy storage

採用方形設計的機身，的般小巧，讓你放於廚房之中，更輕鬆方便。
Compact cube design allows you to store it in the kitchen. So easy and convenient!

